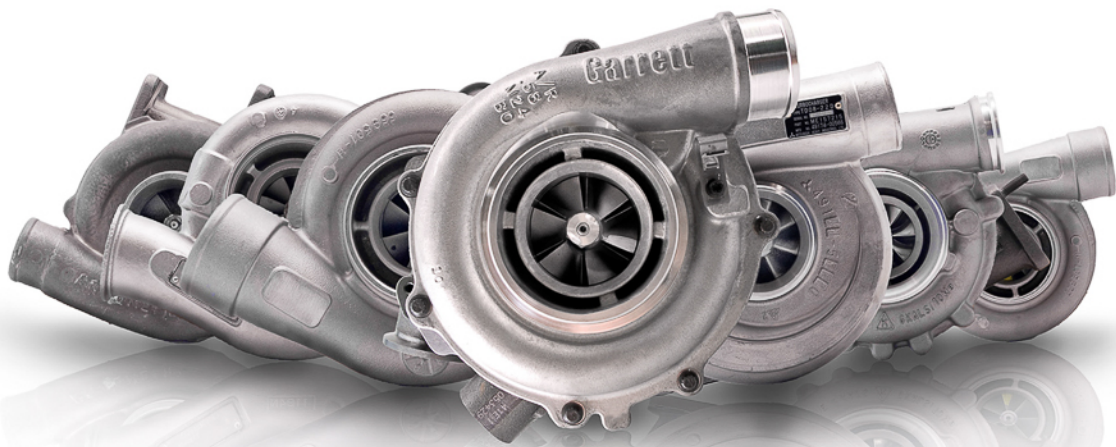
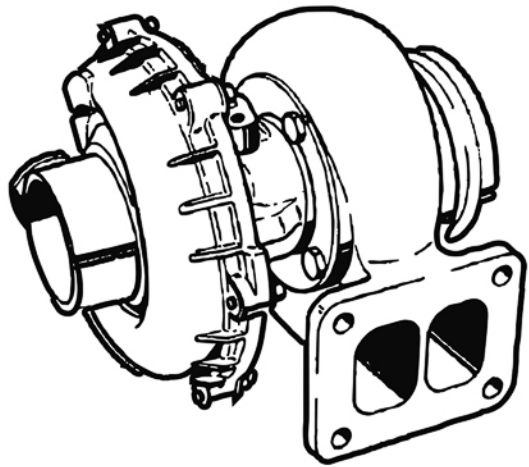


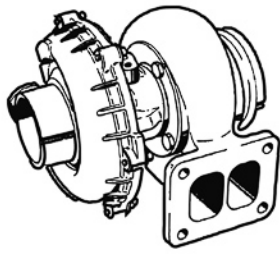
# TURBO EXPERT



**20**  
YEARS

Thank YOU

# TURBO EXPERT



## TURBO EXPERT OUR HISTORY

**YVES GRONDIN, FOUNDER AND INDEPENDENT OWNER OF TURBO EXPERT QUÉBEC INC., IS THE ONLY TURBOCHARGER TECHNICIAN WITH OVER 35 YEARS OF EXPERIENCE IN TURBOCHARGER REBUILDING, MAKING HIM THE INDUSTRY LEADER.**



IN 1996 TURBO EXPERT QUÉBEC OPENED ITS FIRST SHOP IN A SMALL SPACE A LITTLE OVER 250 SQ. FT. IN SIZE. TODAY IT OPERATES IN A 6,000 SQ. FT. SHOP WITH STATE-OF-THE-ART EQUIPMENT AND AN EXTENSIVE INVENTORY TO QUICKLY MEET CUSTOMER NEEDS. TURBO EXPERT IS THE ONLY COMPANY IN QUEBEC DEDICATED SOLELY TO THE SALE AND REBUILDING OF TURBOCHARGERS OF ALL TYPES. THE TEAM'S EXPERTISE AND KNOW-HOW HAVE HELPED IT CREATE BUSINESS RELATIONSHIPS WITH COMPANIES SUCH AS THE CANADIAN COAST GUARD, SOCIÉTÉ DES TRAVERSIERS DU QUÉBEC (STQ), RÉSEAU DE TRANSPORT DE LA CAPITALE (RTC), AND MAJOR SHIPPING COMPANIES SUCH AS CSL, TRANSPORT DESGAGNÉS, OCEAN GROUP, AND MANY MORE.

WE ARE ALSO AN AUTHORIZED DEALER FOR GARRETT, HOLSET, BORGWARNER/SCHWITZER, MITSUBISHI, AND IHI PRODUCTS. WE HAVE AN EXCLUSIVE AGREEMENT WITH GLOBE TURBOCHARGERS, THE OEM OF ALCO TURBOCHARGERS.



THE TURBOCHARGER HAS IMPROVED CONSIDERABLY SINCE SWISS ENGINEER ALFRED BÜCHI PATENTED THE DEVICE ON NOVEMBER 16, 1905.

ACCORDING TO QUBE'S DATA, THE PERCENTAGE OF NEW CARS WITH ORIGINAL TURBO ENGINES IS BELOW 20% IN NORTH AMERICA, BUT WILL BE MUCH CLOSER TO THE PERCENTAGE IN EUROPE (NEARLY 75%) BY THE LATE 2020S, IF NOT SOONER. THE RAPIDLY EVOLVING ORIGINAL TURBO ENGINE MARKET IS DUE MAINLY TO THE NEED OF ENGINE MANUFACTURERS TO MEET ANTI-POLLUTION STANDARDS, FUEL ECONOMY NEEDS, AND CONSUMER DEMAND FOR PERFORMANCE SIMILAR TO THAT OF LARGER ENGINES.

THE AUTO AND INDUSTRIAL TURBOCHARGER MARKET IS GROWING RAPIDLY, STRONGLY MOTIVATING US TO CONTINUE GIVING IT OUR 100% TO SERVE YOU BETTER!

**WE'RE READY FOR THE FUTURE,  
WITH THOUSANDS OF  
TURBOCHARGERS RECONDITIONED  
SINCE 1979!**



**WWW.TURBOEXPERTS.COM**      **1 800 363 4648**  
**438 PAPIN, QUÉBEC QC G1P 3T9**      **INFO@TURBOEXPERTS.COM**

**Garrett®**  
by Honeywell

# YOUR GARRETT AUTHORIZED CENTER

As a **Garrett Authorized Center** we offer the industry's most comprehensive turbocharger service and supply support to keep your diesel equipment up and running.

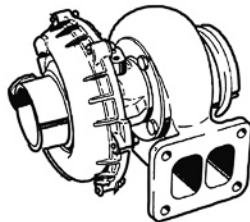
The turbocharger on your diesel engine is one of the most important components on the engine. In a market filled with so many off-brand choices, fuel efficiency, power, and durability are genuine engineering-based concerns.

Sourcing your turbocharger service needs through a **Garrett Authorized Center** means you have a critical engine component specialist on your side supplying component OEM quality and service.

## THE SPECIALIST ADVANTAGE

When you source your replacement turbochargers from a **Garrett Authorized Center** you're getting more than just genuine quality product, your using a specialist that knows diesels, turbochargers, and how they interact. Can your present source perform turbo failure analysis to help you avoid premature failures, train your mechanics how to inspect an in-service turbo, or have access to the world-wide product and service support network of specialists to help you regardless where your equipment is?

**TURBO  
EXPERT**



[WWW.TURBOEXPERTS.COM](http://WWW.TURBOEXPERTS.COM)

438 PAPIN, QUÉBEC QC G1P 3T9

1 800 363 4648

[INFO@TURBOEXPERTS.COM](mailto:INFO@TURBOEXPERTS.COM)

**Garrett**<sup>®</sup>  
by Honeywell

**AT THE CUTTING EDGE OF  
TECHNOLOGY**

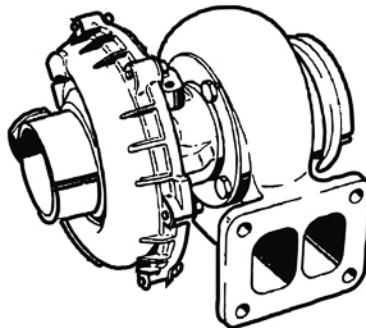


**WE HAVE AN INVENTORY OF  
SEVERAL HUNDRED NEW AND  
REBUILT TURBOCHARGERS WITH AN  
EXCHANGE SYSTEM TO SERVE YOU  
QUICKLY.**



**WHATEVER TYPE OF TURBOCHARGER YOU HAVE,  
TURBO EXPERT CAN RECONDITION IT AND/OR OFFER  
NEW AND EXCHANGE SERVICE WITHIN A REASONABLE  
TIME. ALL WORK PERFORMED BY OUR TECHNICIANS  
ON YOUR TURBOCHARGERS IS GUARANTEED.**

**TURBO  
EXPERT**



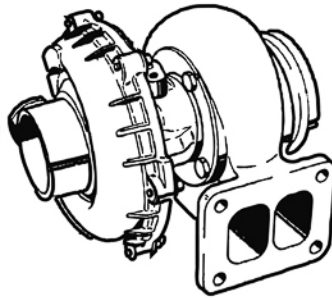
**WWW.TURBOEXPERTS.COM**

**438 PAPIN, QUÉBEC QC G1P 3T9**

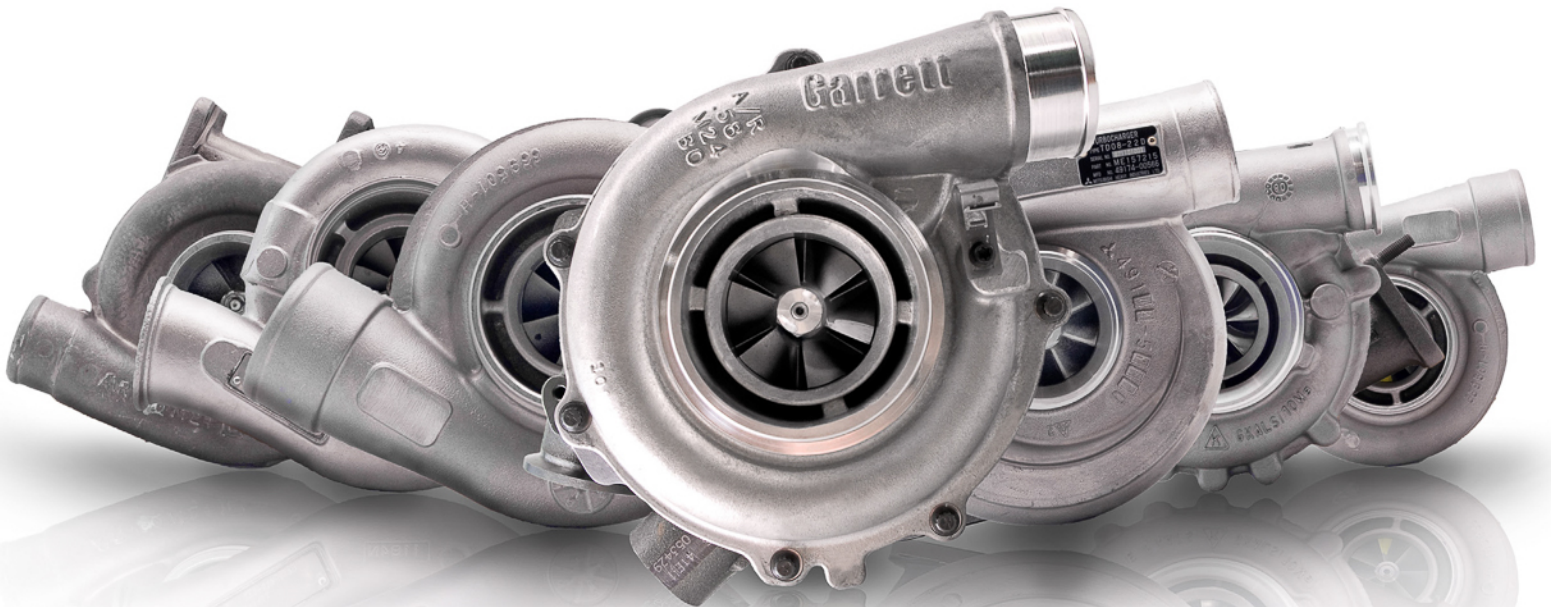
**1 800 363 4648**

**INFO@TURBOEXPERTS.COM**

# TURBO EXPERT



## YOUR ONE SOURCE FOR ALL TURBOCHARGERS!



OFFERING THE WORLD'S LEADING OEM BRANDS.  
WE SUPPLY THE HIGHEST QUALITY TURBOS,  
NEW OR REMANUFACTURED.

**IHI** TURBO  
AMERICA

 **BorgWarner**  
Turbo Systems

**MITSUBISHI**

[WWW.TURBOEXPERTS.COM](http://WWW.TURBOEXPERTS.COM)

1 800 363 4648

438 PAPIN, QUÉBEC QC G1P 3T9

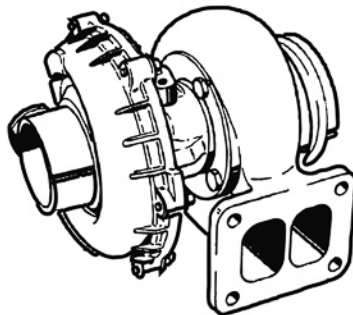
[INFO@TURBOEXPERTS.COM](mailto:INFO@TURBOEXPERTS.COM)

**Garrett**<sup>®</sup>  
by Honeywell

**GARRETT SERVICE REPLACEMENT  
TURBOCHARGERS FOR PASSENGER VEHICLES**



**TURBO  
EXPERT**



**WWW.TURBOEXPERTS.COM**

**438 PAPIN, QUÉBEC QC G1P 3T9**

**1 800 363 4648**

**INFO@TURBOEXPERTS.COM**

**Garrett®**  
by Honeywell

**NEW 6.0L TURBOCHARGERS  
FOR FORD APPLICATIONS**



**Use a Genuine Garrett Original Equipment Replacement Turbo!**

- LASTS LONGER! PERFORMS BETTER!
- HIGHER QUALITY THAN ANY REBUILT
- CONTAINS ALL OF THE ENGINEERING UPDATES FOR SUPERIOR DURABILITY
  - INCLUDES NEW SOLENOID VALVE AND MOUNTING GASKETS
  - HIGHER CUSTOMER SATISFACTION

**APPLICATIONS:**

FOR MODEL YEAR 2003:

P/N 725390-5006S

FOR MODEL YEAR 2004-2005.5:

(2005 WITH ENGINE SERIAL # 6155638 THRU  
6344932 ONLY)

P/N 743250-5024S

FOR MODEL YEAR 2005.5-2007:

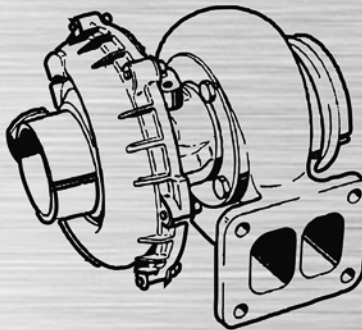
(2005 WITH ENGINE SERIAL # 6344943 AND  
HIGHER)

P/N 743250-5014S



**GENUINE OE TURBO  
AND CONTROL VALVE  
NEW (NOT REMAN)  
NO CORE REQUIRED**

**TURBO  
EXPERT**



**WWW.TURBOEXPERTS.COM**

**438 PAPIN, QUÉBEC QC G1P 3T9**

**1 800 363 4648**

**INFO@TURBOEXPERTS.COM**

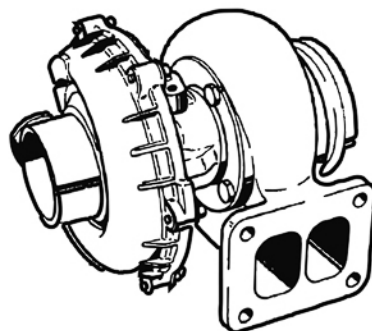
**Garrett**<sup>®</sup>  
by Honeywell

**GARRETT ORIGINAL  
REMAN**



**GARRETT ORIGINAL REMAN  
TURBOS RESTORED, RECALIBRATED  
& REBALANCED TO OE SPECIFICATION**

**TURBO  
EXPERT**



**WWW.TURBOEXPERTS.COM**

**438 PAPIN, QUÉBEC QC G1P 3T9**

**1 800 363 4648**

**INFO@TURBOEXPERTS.COM**